

Wall Mounted Multi-Format HDBaseT Transmitter, 3 Inputs to 1 HDBaseT Output

MFT-31C-W



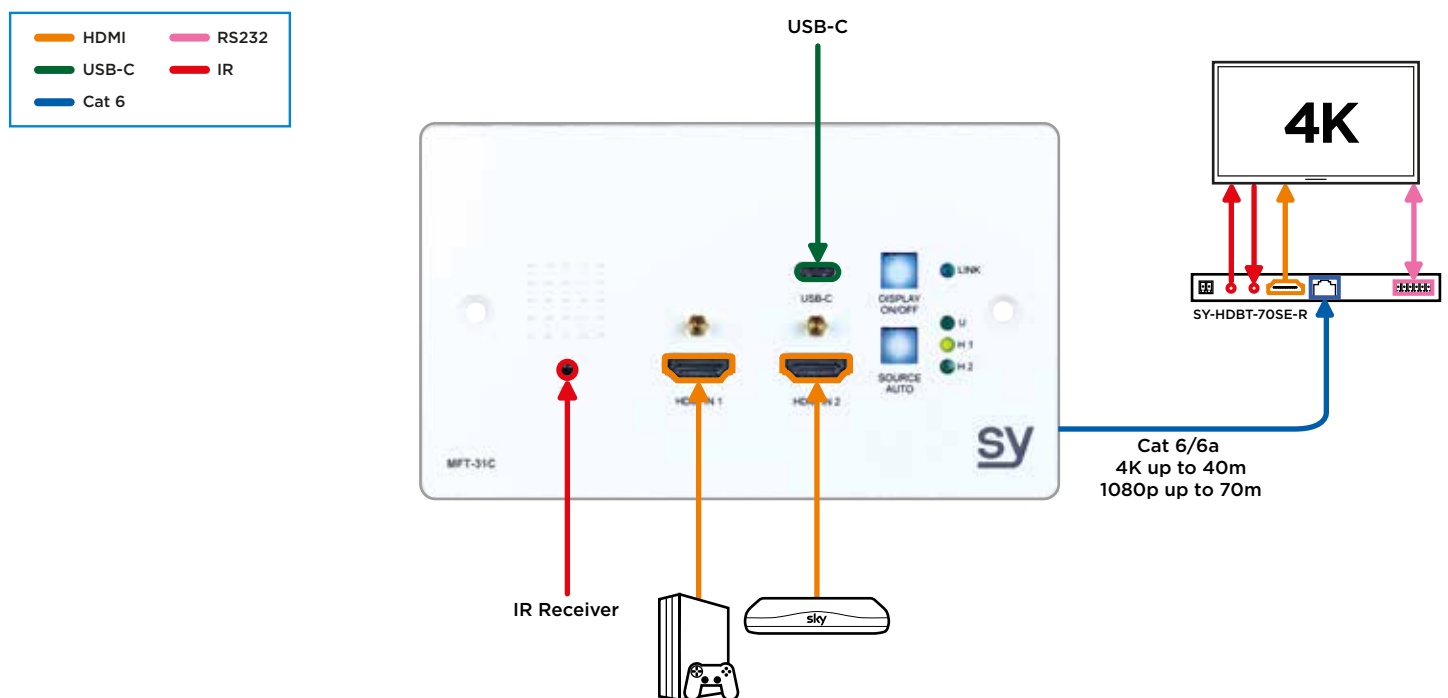
MFT-31C-W

The MFT-31C-W is a feature packed three input, Multi-format HDBaseT transmitter/switcher. Using USB-C Video or either of the two HDMI inputs, a signal can be connected to a distant display such as a large screen or a projector, extending 1080p signal transmissions up to 70m and 4K60 4:2:0 up to 40m with HDCP 2.2. Control via bi-directional RS232, IR, CEC and Auto On/Off allows the unit to provide countless flexible On/Off operations. Whilst PoC (Power over Cable) allows for easy installations, means only a single PSU is required at either the transmitter or receiver. With auto or manual input selection from the front panel, auto standby, and user selectable auto switch, this device is perfect for classroom, meeting room or any environment where quick and simple connections from a laptop, mobile or other device is required in a wall mount format.

FEATURES

- 2x HDMI inputs
- 1x USB-C input
- 1x HDBaseT output (70m @ 1080p, 40m @ 4K30)
- RS232 control (Tx Rx) and data pass through
- IR Eye data pass through
- Built in IR Eye (IR receiver)
- IR learning for Display On/Off control
- Display On/Off control via RS232, IR and CEC
- LED indication for selected input
- LED indication for Link status to HDBaseT receiver
- Auto/Manual selection

CONNECTIVITY ILLUSTRATION



Wall Mounted Multi-Format HDBaseT Transmitter, 3 Inputs to 1 HDBaseT Output

MFT-31C-W



SPECIFICATIONS

PART NUMBER	SY-MFT-31C-W	
VIDEO RESOLUTIONS/FORMATS	VESA and SMPTE 480p to 2160p with 3D. All HDMI resolutions to 3840x2160p@60Hz 4:2:0, 480p@60Hz, 1080p@24Hz, 4K@24Hz, 576p@50Hz 1080p@50Hz, 4K@30Hz, 720p@60Hz, 1080p@60Hz, 4K@60Hz, YUV4:2:0. Up to 4K30 4:4:4 - 4K@60Hz YUV4:2:0 All PC resolutions to 1920x1200@60Hz	
BANDWIDTH	10.2Gbps	
HDCP	1.4 & 2.2	
INPUTS	Video 2x HDMI type A 1x USB-C	Audio L+R 3.5mm Stereo Jack
MAXIMUM HDBaseT RANGE	40m - 4K60 4:2:0 70m - 1080p60	
CONTROL	RS232 IR Front Panel Auto-Switching	
POWER SUPPLY	24V DC, 1.25A	
POWER CONSUMPTION	5W	
WEIGHT AND DIMENSIONS	Weight (net) 0.235kg	Size (WHD) UK: 146 x 86 x 43mm
WHAT'S IN THE BOX	1x MFT-31C-W 1x PSU with UK plug adapters 1x User's Manual	

SY-MFT-31C-W Data Sheet 01.1. Details subject to change with no prior notice. ©SY Electronics 2020