



sy

**Your Connected
World**

SY Audio



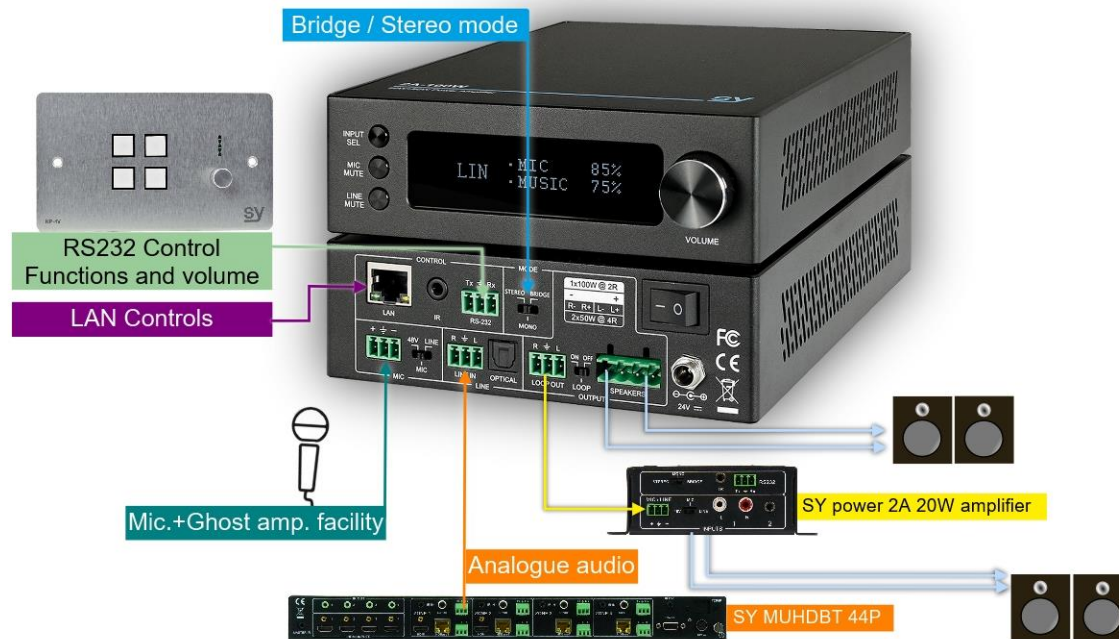
Your Connected World





SY 2A-100W Integrated power amplifier

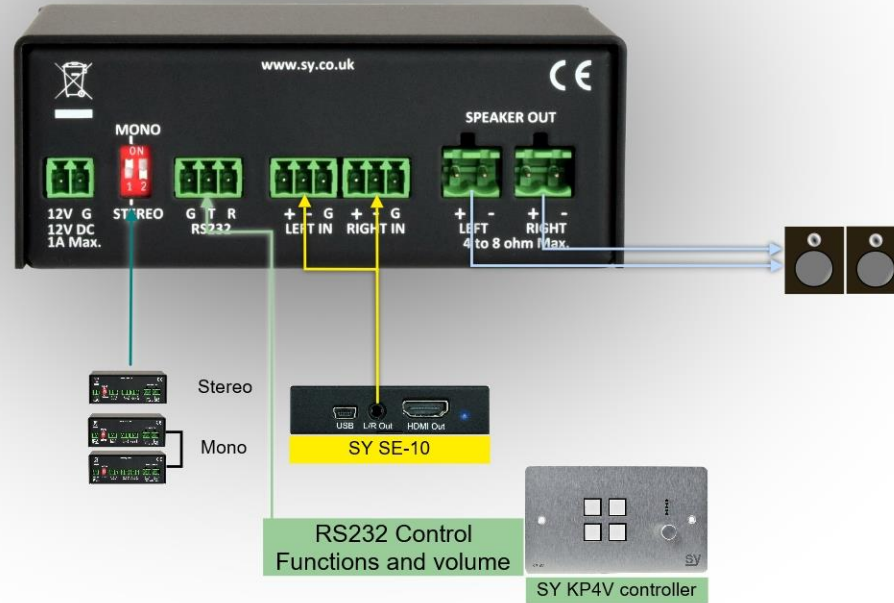
100W output power in stereo, mono or bridge configurations. Analogue Stereo or Optical Toslink audio inputs
Microphone input with 48V phantom power, mic level or line level modes. Loop out option that can feed to another SY-2A-100W
OLED front panel display. LAN control. RS232 control. IR control. 24V DC PSU





SY 1A-25R Stereo power amplifier

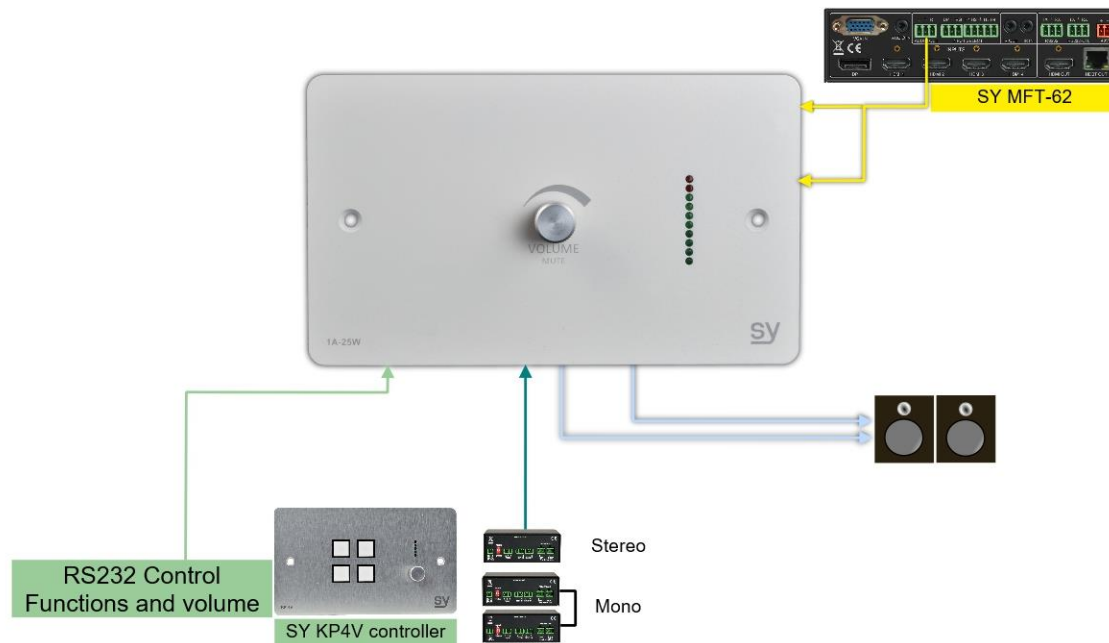
Stereo Balanced/Unbalanced Line Inputs. RS232 Control. 2x 25W Output into 8 Ohms. Rack mountable with RS01 shelf
Class D for high efficiency. Power On/Off. Volume Mute, Up, Down and Absolute
Mono/Stereo Mode. Balance Control.





SY 1A-25W wall plate Stereo power amplifier

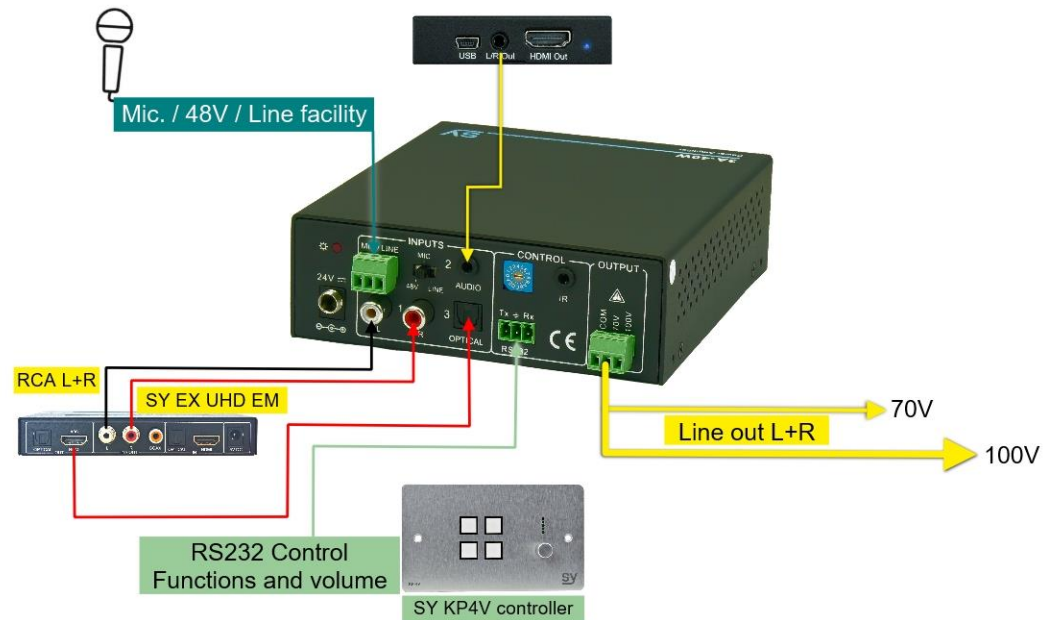
Stereo Balanced/Unbalanced Line Inputs. Front panel Volume and Mute Control. RS232 Control. 2x 25W Output into 8 Ohms
Designed to fit Euro double gang back box. Class D for lower power. Power On/Off. Volume Mute, Up, Down and Absolute
Mono/Stereo Mode. Balance Control.





3A 40W Stereo power amplifier

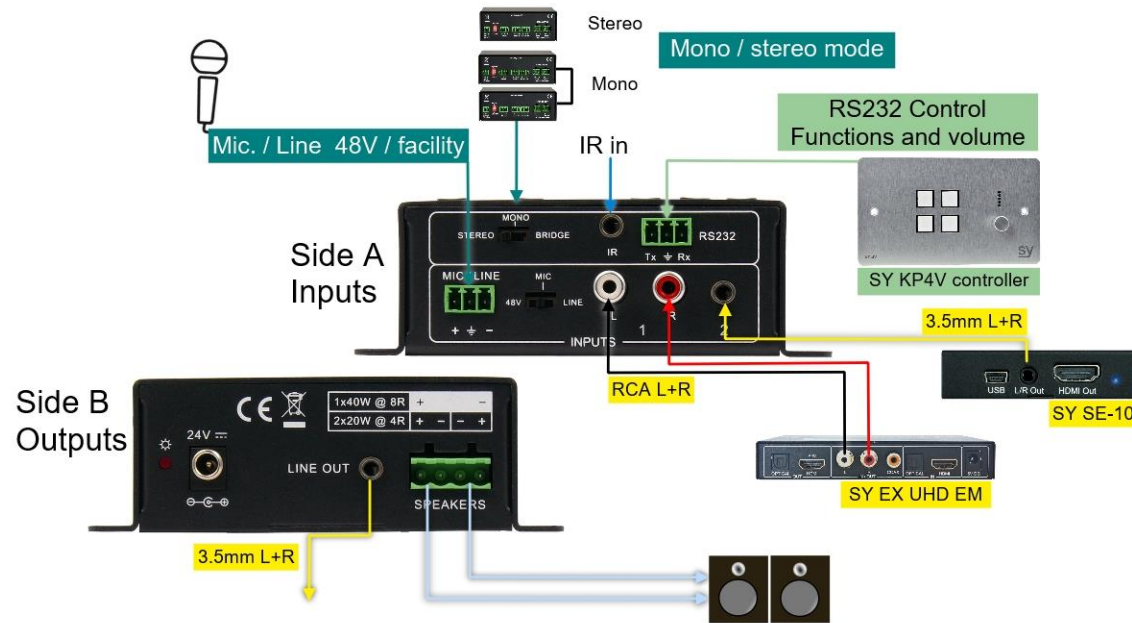
2 Line inputs. Mic./Line input. 48V Phantom power for mic. Digital optical input. 40W 70V/100V. RS232 Control. IR. Front panel controls. Volume and EQ control-settings. Mic. Auto docking.





SY 2A 20W Stereo power amplifier

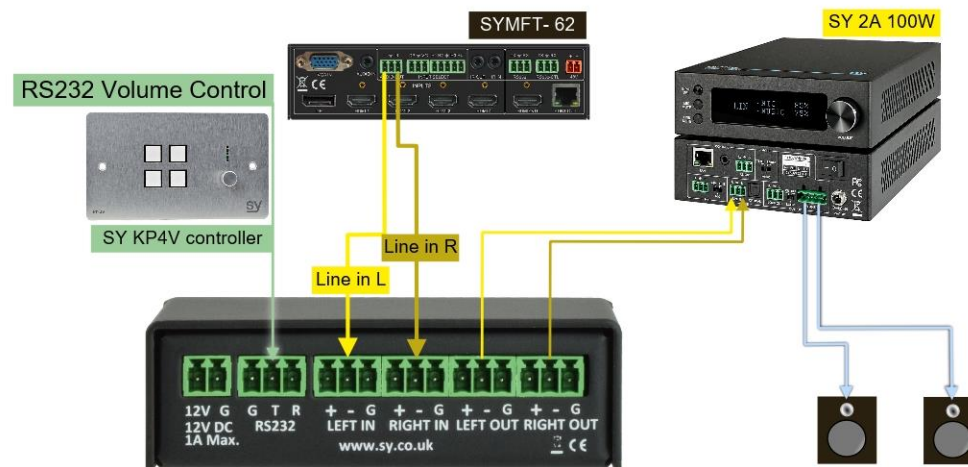
2 Line Inputs. 1 Mic/Line Input. 48V Phantom power for Microphone. 2 x 20W at 4 Ohms output
Stereo, Mono and Bridge Modes. Line Output. RS232 Control. Infrared Control
Panel Control. Volume and EQ Control. Microphone Auto Ducking





LVC RS232 volume controller

Stereo Balanced/Unbalanced Line Inputs. RS232 Control. Stereo Balanced/Unbalanced Line Outputs. Rack mountable with RS01 shelf. Volume Up, Down and Absolute Control. Mute. Mono/Stereo Mode. Balance Control





sy

**Your Connected
World**