



KC Range

The KC range are powerful, standalone keypad controllers, designed to be versatile and capable of control of a wide variety of end-point devices for single room to networked, multi-room, multi-controller installations. KCs are built to manage complex tasks normally reserved for third party dedicated control systems. They are equipped for any modern AV installation environment, providing an intuitive, centralised point of command and automation.

Ease of programming and flexibility in how you specify the nature of buttons and ports is at the core of the KC's design. Define styles and themes, schedule events, deploy sequential or asynchronous commands for all types of end point device. The KC is capable of controlling up to 32 events concurrently. The KC has 6x two-way serial ports (4 dedicated and 2 Flexi-ports, with one offering an RS485 option), 4 IR ports, and 4 low-voltage GPIO ports (24V, 200mA), with enhanced over-current protection. Flexi-ports ensure optimal utilisation of controller real estate, allowing you to define the nature of ports depending upon the requirements of your installation.

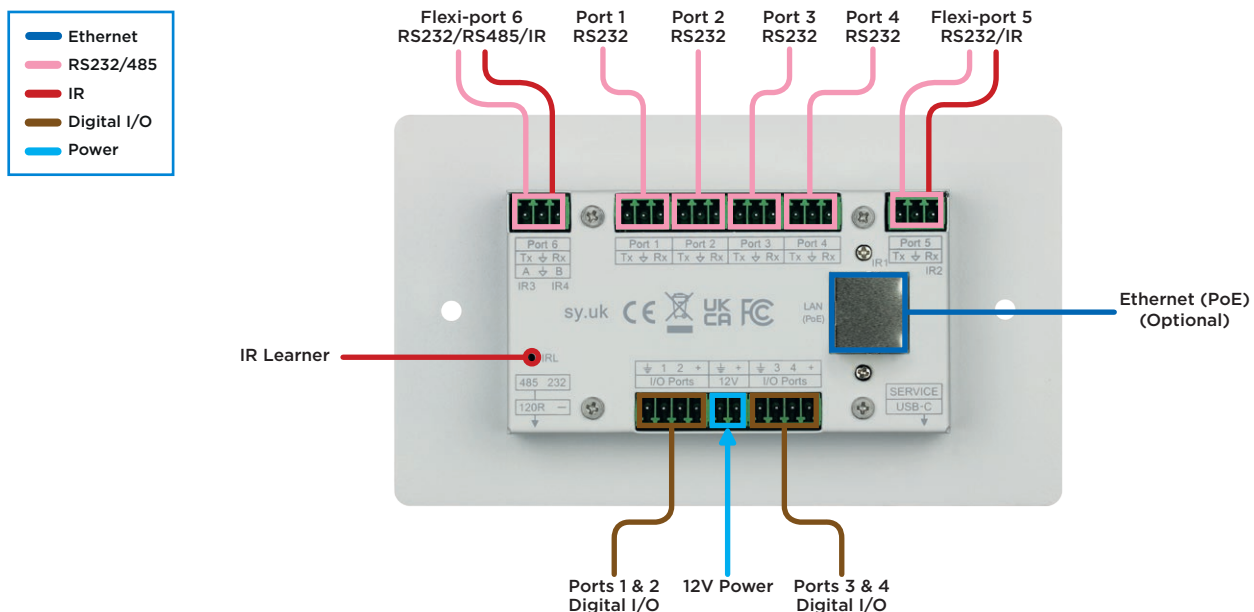
There is an optional LAN port (with PoE capability) for maximising networking potential. Available in a variety of forms, with 4, 6, 8, or 10 RGB buttons plus an optional smooth-rotary dial. The smooth flat facia is available in three distinctive finishes: white, black, or brushed aluminium, making them suitable for most environments. KCs are equipped with UK, EU, and US-style faceplates to fit standard back-boxes.

Harness the power of the NebulaStudio® application, enabling you to implement pre-configured commands without coding and greatly reducing the time needed to update or re-configure set-ups. Personalise your set-up by incorporating Lua scripts. Labels are provided in the form of a legend sheet, may be personalised and are replaceable using the included Cap Removal Tool.

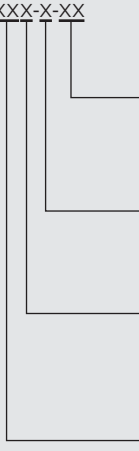
FEATURES

- 6x RS232 Ports
- 1x RS485 Ports
- 4x IR ports
- LAN port (PoE) (Optional)
- 4x Digital Input/Output ports
- Integrated IR Learner
- Full colour RGB legend-able buttons
- UK, Euro, and US faceplate choices
- White, Black, and Aluminium finish choices
- NebulaStudio® - Powerful, yet easy to use scripting software

CONNECTIVITY ILLUSTRATION



SPECIFICATIONS

PART NUMBER	<p>SY-KC-XXX-X-XX</p>  <p>Faceplate Region UK = United Kingdom EU = European US = United States</p> <p>Faceplate Style W = White A = Brushed Aluminium B = Black</p> <p>Ethernet Option E = With Ethernet Blank = No Ethernet</p> <p>Product 4V = 4 Buttons + Volume Control 6 = 6 Buttons 6V = 6 Buttons + Volume Control 8V = 8 Buttons + Volume Control 10 = 10 Buttons</p>
RGB BACKLIT BUTTONS	4, 6, 8, 10 RGB illuminated buttons. Any colour/brightness 4V, 6V, 8V Rotary dial with push button & 6 LED bar-graph
SERIAL COMM PORTS	<p>6x RS232, 1x RS485, 4x IR</p> <p>Comm Ports 1-4 4x dedicated Bi-directional Full-duplex RS232 ports (Tx, Rx)</p> <p>Flexi-Port 5 - RS232, IR Flexi-port 5 can be configured in 3 ways: - Full-duplex RS232 (Tx, Rx) - RS232 Tx with 1x IR - 2x IR</p> <p>Flexi-Port 6 - RS485, RS232, IR Flexi-port 6 can be configured in 4 ways: - Half-duplex RS485 - Full-duplex RS232 (Tx, Rx) - RS232 Tx with 1x IR - 2x IR</p> <p>Note: Flexi-ports can be configured using NebulaStudio®</p>
SERIAL PORT SETTINGS	Baud rate - From 600 to maximum of 115,200 8/9 bit data, parity (odd, even, non), stop bit (1, 1.5, 2)
IR EMITTERS	25-150 KHz carrier frequency
IR LEARNER	Universal IR capture - 25-60 KHz carrier frequency Distance: 30-150 mm
LAN PORT (Optional)	10/100 BaseT Ethernet LAN port with PoE - (RJ45) Can control up to 128 devices
GPIO	4x Low voltage I/O Maximum voltage rating - 28V DC Current sink capability - 200mA Max Over-current and Back EMF protection Internal weak pull-up in input mode
POWER SUPPLY	12V 1A DC Optional PoE LAN port
POWER CONSUMPTION	1-3W max (depending on LED brightness)
OPERATING TEMPERATURE RANGE	0 ~ +40°C (+32° ~ +104°F)
OPERATING HUMIDITY RANGE	10 - 90% RH (non-condensing)

SPECIFICATIONS

WEIGHT AND DIMENSIONS	Weight (net)					Size (WHD)
	KC4V	KC6	KC6V	KC8V	KC10	
UK	0.160kg	0.150kg	0.155kg	0.160kg	0.160kg	146 x 86 x 27 mm
	0.175kg*	0.165kg*	0.170kg*	0.170kg*	0.170kg*	
European	0.170kg	0.160kg	0.165kg	0.165kg	0.160kg	151 x 80 x 27 mm
	0.185kg*	0.175kg*	0.180kg*	0.180kg*	0.175kg*	
US	0.175kg	0.170kg	0.170kg	0.175kg	0.170kg	115.4 x 114.3 x 27 mm (4.54 x 4.5 x 1.06 inches)
	0.190kg*	0.185kg*	0.185kg*	0.190kg*	0.185kg*	

*With Ethernet

WHAT'S IN THE BOX

- 1x KC
- 6x 3-way pluggable connectors
- 2x 4-way pluggable connectors
- 12V 1A DC PSU
- Legend sheet
- Clear caps
- CRT (Cap Removal Tool)
- Cleaning Cloth

CONFIGURATIONS & FINISHES

Region	KC-4V	KC-6	KC-6V	KC-8V	KC-10
UK					
European					
USA					

Finishes



SY-KC Data Sheet 01. Details subject to change with no prior notice. ©SY Electronics 2024