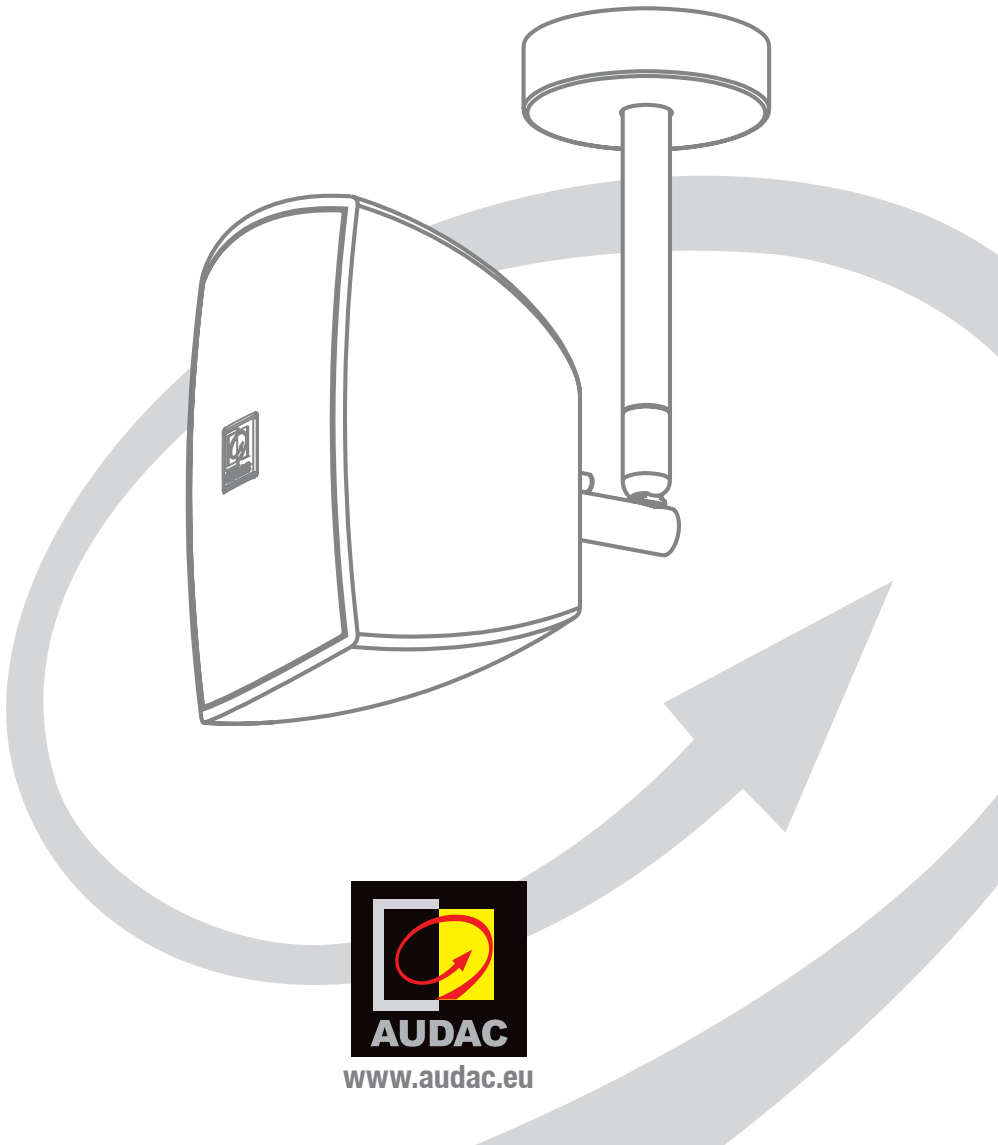


ATE02S

User & Installation manual



www.audac.eu

Introduction

Compact full–range speaker with ClickMount™

The ATEO is a series of extraordinary loudspeakers especially designed for fixed install indoor applications, ranging from modern residential applications to the most demanding designer applications in environments such as retail stores, pubs, restaurants or even clubs.

The ATEO2S is an ultra–compact model of this serie, which smoothly integrates into any interior like no other loudspeaker. Fitted with a 2” aluminum cone driver, it provides a full–range, warm and detailed sound with an improved response in the low frequencies due to the ported enclosure. It features a stunningly designed and elegant looking ABS housing which is fitted with high–quality components. The newly designed mounting bracket uses the ClickMount™ technology and allows the installation of the speaker on any ceiling or horizontal surface while directional placement and tilting can be done in any possible direction.

The minimalistic bracket design in combination with the elegant designed cabinet provides an elegant solution which finds its application in any type of interior.

The installation of the speaker is done by fixing the included L–shaped bracket to the desired location on the ceiling and connecting the wires to the spring clamp terminal block. After this is done, the female connection socket on the rear of the speaker needs to be plugged on the male connection part of the bracket. This way the speaker is instantly fixated and connected.

All ATEO series speakers are available in Black (/B) or White (/W).

Precautions

READ FOLLOWING INSTRUCTIONS FOR YOUR OWN SAFETY

- ALWAYS KEEP THESE INSTRUCTIONS FOR FUTURE REFERENCE. NEVER THROW THEM AWAY
- ALWAYS HANDLE THIS UNIT WITH CARE
- CLEAN ONLY WITH DRY CLOTH
- HEED ALL WARNINGS AND FOLLOW ALL INSTRUCTIONS
- NEVER EXPOSE THIS EQUIPMENT TO RAIN, MOISTURE, ANY DRIPPING OR SPLASHING LIQUID. AND NEVER PLACE AN OBJECT FILLED WITH LIQUID ON TOP OF THIS DEVICE
- DO NOT INSTALL THIS UNIT NEAR ANY HEAT SOURCES SUCH AS RADIATORS OR OTHER APPARATUS THAT PRODUCE HEAT
- DO NOT PLACE THIS UNIT IN ENVIRONMENTS WITH A HIGH LEVEL OF DUST, HEAT, MOISTURE OR VIBRATION
- THIS UNIT IS DEVELOPED FOR INDOOR USE ONLY. DO NOT USE IT OUTDOORS
- ONLY USE ATTACHMENTS & ACCESSORIES SPECIFIED BY THE MANUFACTURER.
- ONLY INSTALL THE SPEAKER IN LOCATIONS THAT CAN STRUCTURALLY SUPPORT THE WEIGHT OF THE SPEAKER. IGNORING THIS CAN BRING THE SPEAKER DOWN.
- DO NOT USE ANY OTHER METHOD THAN SPECIFIED TO MOUNT THE SPEAKER. IF EXTREME FORCE IS APPLIED TO THE SPEAKER, IT COULD FALL DOWN
- ATTACH A SAFETY WIRE TO THE SPEAKER WHEN IT IS MOUNTED HIGH UP. ONLY USE INDUSTRY-ACCEPTED RIGGING TOOLS AND METHODS
- CAREFULLY CHECK THE UNIT'S CONDITION AFTER UNPACKING. IF THERE IS ANY DAMAGE TO THE CARTON BOX OR THE UNIT ITSELF, INFORM YOUR VENDOR IMMEDIATELY.
- ALWAYS FOLLOW THE LOCAL REGULATIONS AND REQUIREMENTS REGARDING INSTALLATION, SUSPENSION AND CONNECTION OF THIS LOUDSPEAKER. EVEN WHEN OTHERWISE SPECIFIED IN THIS DOCUMENT.
- THE INSTALLATION OF THIS LOUDSPEAKER SHALL BE DONE BY QUALIFIED PERSONNEL ONLY.

CAUTION

- USE CABLES OF THE RIGHT GAUGE TO CONNECT THE LOUDSPEAKER
- USE CABLES WITH CLEAR COLOUR CODING INDICATING THE POLARITY AND MAINTAIN THE SAME POLARITY THROUGHOUT THE WHOLE SYSTEM.
- ONLY USE THE CORRECT AMPLIFIER OUTPUT VOLTAGE AND IMPEDANCE. EXCEEDING THESE LIMITS COULD CAUSE FIRE OR OTHER FAILURES.
- AVOID EXPLOSIONS: DO NOT USE THE SPEAKER AROUND GASOLINE, THINNER OR OTHER COMBUSTIBLES
- AVOID ELECTRIC SHOCKS: SWITCH OFF THE AMPLIFIER WHEN CONNECTING THE LOUDSPEAKER
- DO NOT USE THE LOUDSPEAKER FOR AN EXTENDED PERIOD OF TIME AT DISTORTED SOUND. THIS COULD CAUSE PERMANENT DAMAGE.



CAUTION – SERVICING

This product contains no user serviceable parts. Refer all servicing to qualified service personnel. Do not perform any servicing (unless you are qualified to do so.)



EC DECLARATION OF CONFORMITY

This product conforms to all the essential requirements and further relevant specifications described in following directives: 2014/30/EU (EMC) and 2014/35/EU (LVD)



WASTE ELECTRICAL AND ELECTRONIC EQUIPMENT (WEEE)

The WEEE marking indicates that this product should not be disposed with regular household waste at the end of its product life. This regulation is created to protect both the environment and human health.

This product is developed and manufactured with high quality materials and components which can be recycled and/or reused. Please dispose this product to your local collection point or recycling centre for electrical and electronic waste. This will make to sure that it will be recycled on an environmentally friendly manner, and will help to protect the environment in which we all live.

Installing the ATE02S ClickMount™ Technology

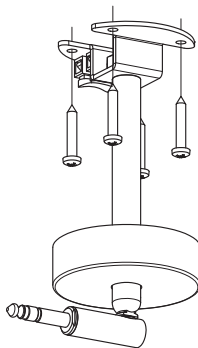
Every ATE02S speaker uses the unique Clickmount™ technology, offering an elegant and slim solution for mounting the loudspeaker to the ceiling, while providing a great ease for installing the loudspeaker.

Using this mounting solution, the speaker can be installed on any ceiling or horizontal surface, while directional placement and tilting can be done in any possible direction, even after the speaker is already installed.

The installation of the loudspeaker should be done according to a simple 4–step procedure, which is described below:

Step 1: Attach the mounting bracket

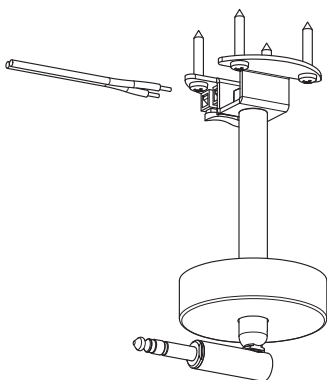
The first step is to attach the mounting bracket to the desired location. The mounting bracket has to be fixed by four screws in a square shape. The mutual distance is 35mm in both directions. The used fasteners should be chosen according to the mounting surface (brick, concrete, wood, ...)



Step 2: Make the connections

After the mounting bracket is attached, the connections shall be made. The ATE02S only allows connection in low impedance mode (8 Ohm for ATE02S and 16 Ohm for ATE02SD) and therefore a terminal block connector is provided. The wires coming from the amplifier should be connected to the spring clamp terminal block connector.

The polarity is indicated through the color coding of the wires. The red wire is the + terminal while the black wire is the COM terminal. Make sure the polarity is always correct throughout the entire system.

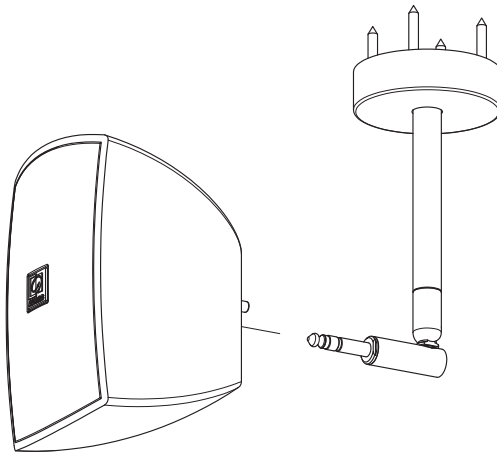


Once connected, the ceiling cover can be slid and clicked in place, nicely covering the screws and connections. Mind the direction of the fixation clips at the inner side of the cover, to make sure they nicely get into place when pressed onto the bracket.

Mind the polarity markings when wiring the loudspeaker cables.

Step 3: Attach the speaker

After the bracket is mounted and the connections have been made, the speaker shall be attached. Attaching is simply done by inserting the male 6.3 mm plug from the bracket into the female counterpart on the rear side of the loudspeaker. Once inserted, the speaker shall be pressed on the male part until the connections are clicked in position. Now the speaker is safely fixated and connected.



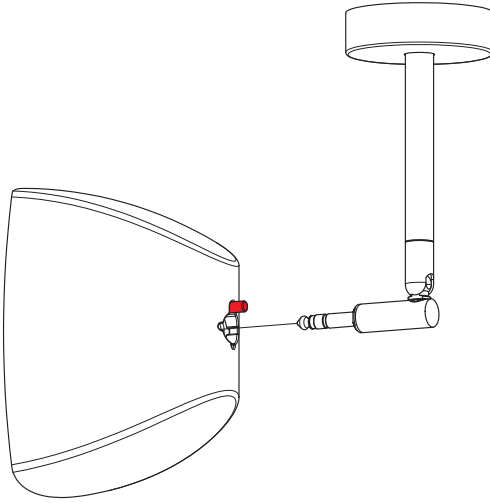
Step 4: Position the loudspeaker

The last step in the installation procedure of the speaker is pointing it into the correct direction. The ball joint mechanism allows adjustment of the direction of the loudspeaker without requiring any tools.

Carefully point the speaker into the correct direction and it will automatically remain in this position.

Detaching the speaker

In case the speaker needs to be detached from the bracket press the small button on the back of the speaker, marked on the drawing below. This will release the locking mechanism inside the speaker. Do this while pulling the speaker from the male part of the bracket to detach the speaker.



Additional Information

Technical specifications

Max Power		20 Watt
RMS Power		10 Watt
Nominal impedance	ATE02S	8 Ohm
	ATE02SD	16 Ohm
Sensitivity (1W/1m)		83 dB
Sound Pressure (Max W/1m) @ 8 Ohm		93 dB
Frequency Response (\pm 3 dB)		120 Hz – 20 kHz
Drivers		2" Aluminum full range
Connectors		2-pin spring clamp
Mounting bracket		ClickMount™
Construction		ABS
Front finish		Fine perforated steel grill
Incline Angle	Left & Right	175°
	Bottom	90°
	Top	0°
Colour	White	ATE02S/W (RAL9003) ATE02SD/W (RAL9003)
	Black	ATE02S/B (RAL9005) ATE02SD/B (RAL9005)
Dimensions (W x H x D)		80.5 x 201.7 x 158.7 mm
Weight		0.52 Kg
Packaging		Carton box (pair)
Shipping weight & Volume		1.35 Kg – 0.0084 Cbm (pair)