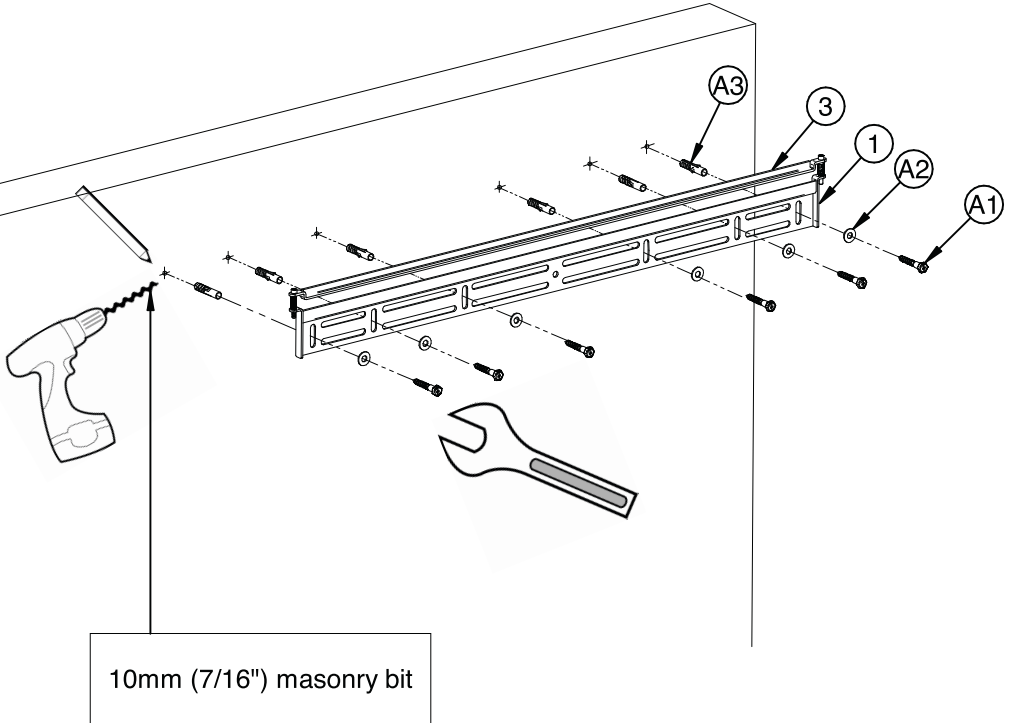


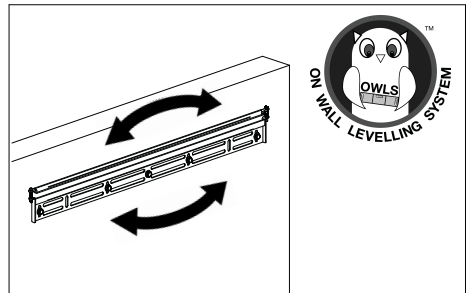
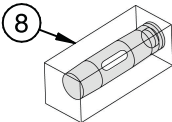
INSTALLATION INSTRUCTIONS

1 Fix wall plate to the wall.

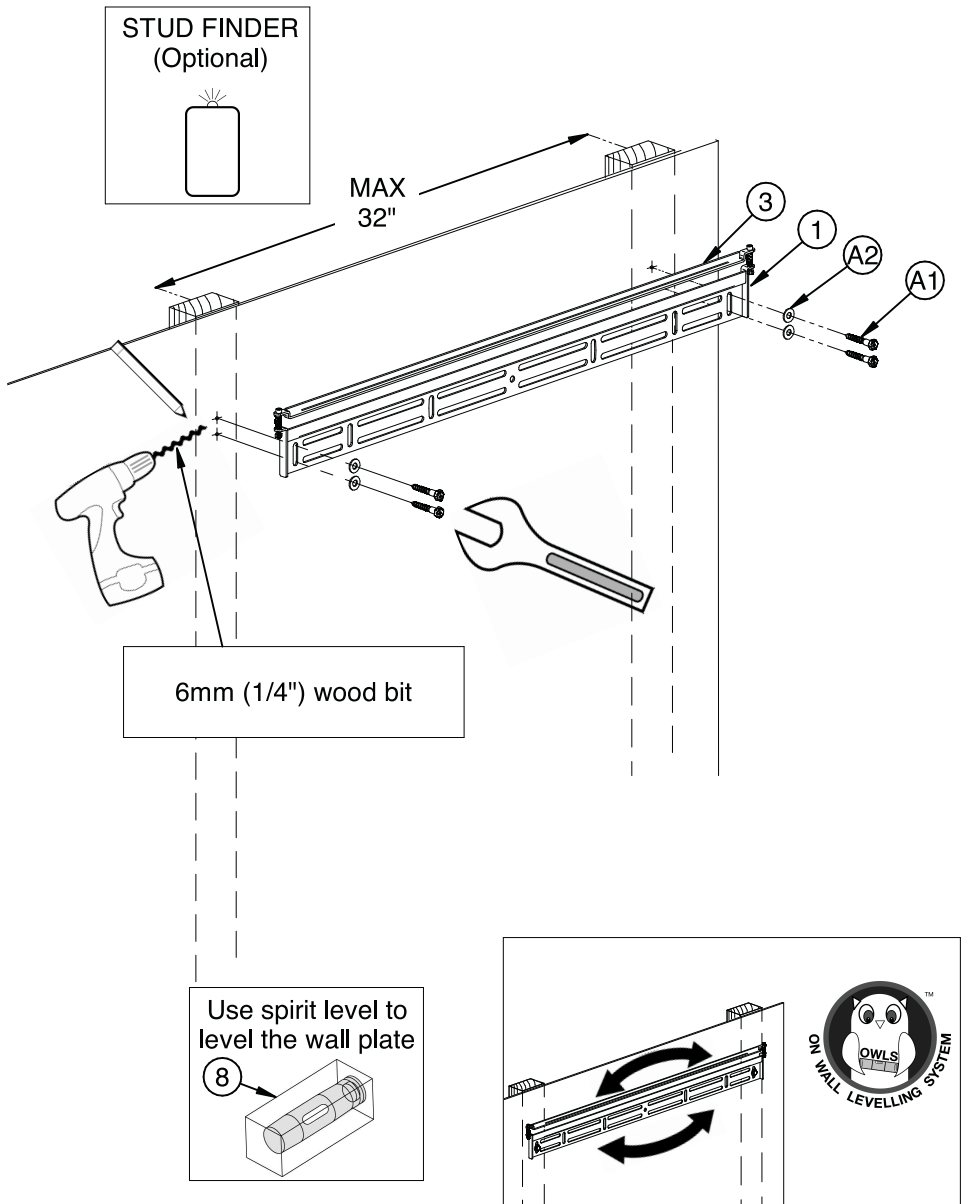
i. Brick / concrete walls.



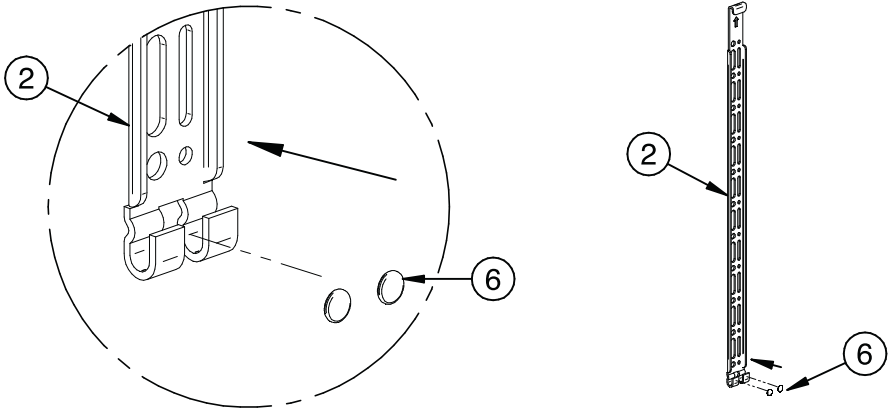
Use spirit level to level the wall plate



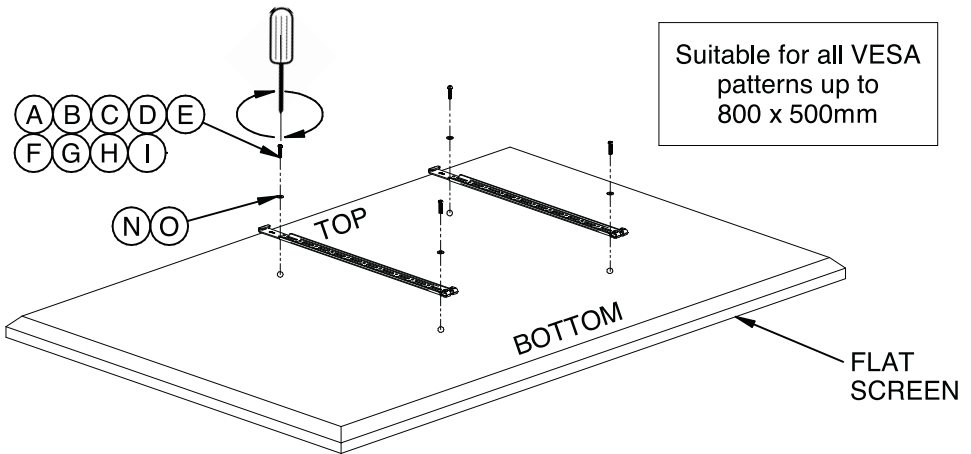
ii. Wood / stud walls.



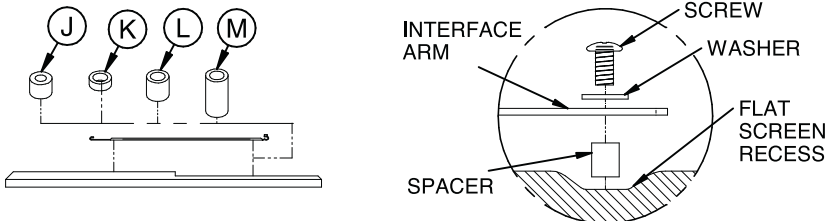
2 Stick the foam pads to the back of the interface arms.



3 Attach the interface arms to the back of the flat screen.



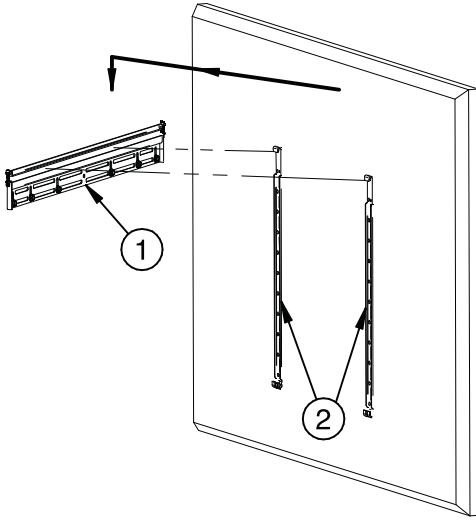
Use spacers on recess in flat screen & for extra space for cables.



⚠ Please refer to screen manufacturer manual for guidance ⚠
on screen mounting and ventilation.

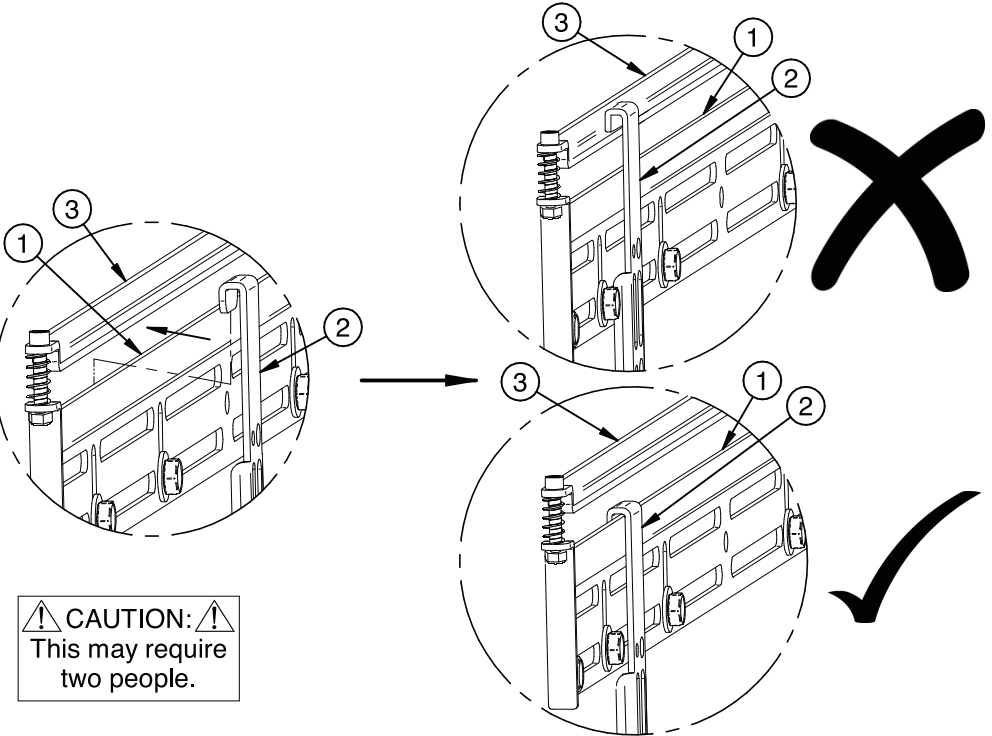
4

Hook the flat screen onto the wall plate.



⚠ CAUTION: ⚠
Please ensure interface arms
hook onto wall plate and not
the locking bar.

FLAT
SCREEN



⚠ CAUTION: ⚠
This may require
two people.

5

Position screen then secure in place by tightening the locking bar screws (part 4).

POSITION SCREEN - LATERAL ADJUSTMENT

